

# DUAL DRIVE SYSTEM TO-62AC plus

## TECHNICAL DATA (VALUES PER SIDE)

### GEARBOX

Max wheel torque	
- in acceleration	200 Nm
- continuously	60 Nm
Max load	800 kg*
Gear ratio	1/8.12

### WHEEL

Material	Polyurethane
Size	Ø200 x 70 Ø160 x 50

### TRACTION MOTOR

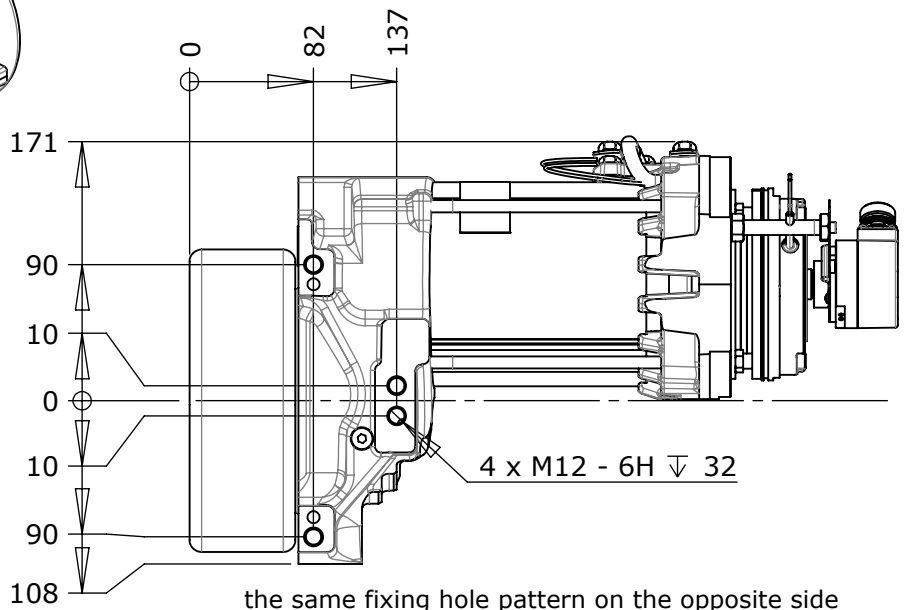
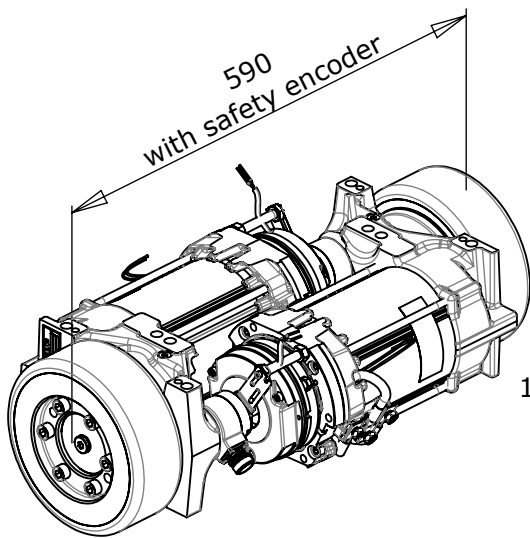
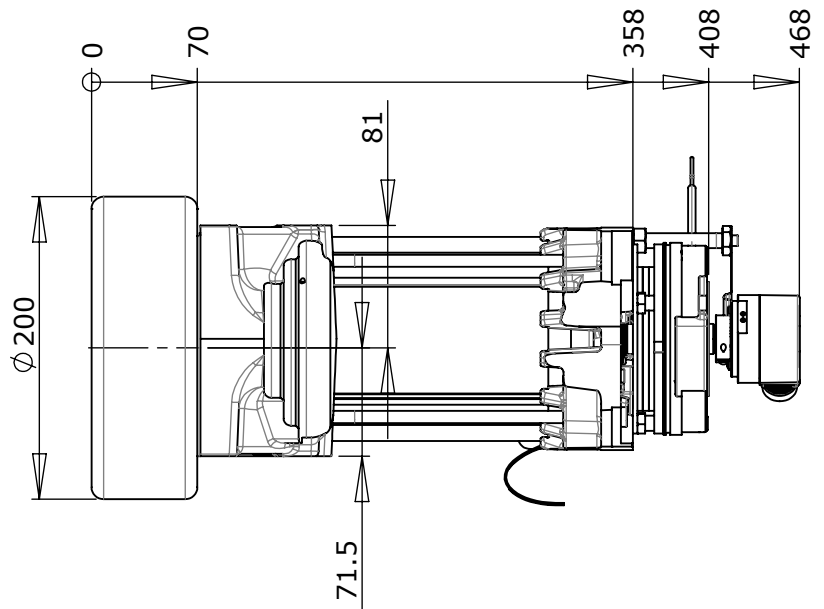
Type	Induction motor
Battery voltage	24 - 48 V
Nominal speed	3000 rpm
Nominal torque	8 Nm
Speed sensor	64 - 500 - 1000 ppr

### BRAKE

Voltage	24 - 48 V
Torque	23 Nm

### SAFETY ENCODER

up to SIL3



\* max load with wheel Ø160 590kg